

24Centric™

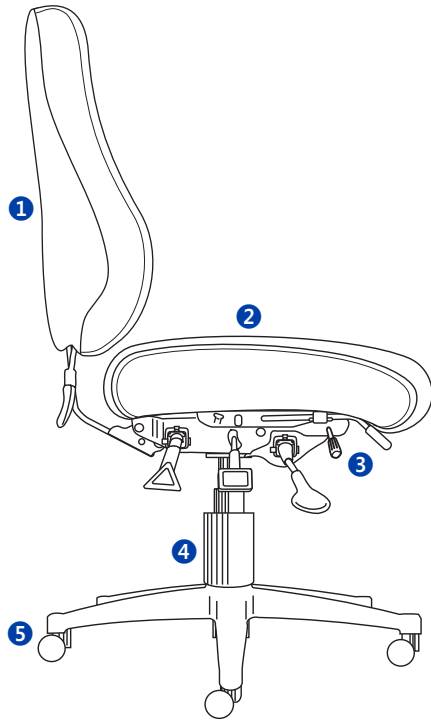


The 24Centric® series is designed to provide exceptional cushioned comfort with the ergonomic support needed for a variety of office tasks. Versatile in its capabilities, the 24Centric's durable design and pleasing aesthetic make the chair well suited for control room use and other 24 hour environments.

ergoCentric®
The science of sitting®

24Centric™

[View Online](#)



2 ½" seat slider



27" Hercules glass reinforced nylon base



Wide range of adjustments available



Multiple seat, caster and arm options

Features

- 1 **Backrest**
 - 5" Patented back height adjustment system
 - Bolstered fabricated polyurethane foam
 - Fully upholstered dual curve backrest (21"w x 26"h)
- 2 **Seat**
 - Dual density polyurethane foam
 - Eight ply hardwood seat structure
 - Tailored upholstery on seat pan (20"w x 19 ½"d)
- 3 **24 Hour Multi Tilt Mechanism**
 - Back angle adjustment
 - Adjustable spring tension
 - Forward tilt lock out
 - Infinite lock free float
 - 2 ½" Depth adjustable slider
- 4 **Pneumatic Lift**
 - 125 mm pneumatic lift (17 ½" - 23 ½")
- 5 **Base**
 - 27" Hercules glass reinforced nylon base
 - 5 Dual wheel nylon casters

Options

- Fixed and adjustable arm options
- Optional seat height ranges
- Seat size options:
 - 22"w x 19"d
 - 22"w x 21"d
 - 23"w x 22 ½"d
- 24 hour adjustable headrest
- Air lumbar system and air thoracic
- Caster and glide options
- Heavy duty task intensive mechanism

Warranty

- 5 years°
- Original purchaser
 - Continuous use for multi-shift operations for users weighing up to 300 lbs
 - Mechanisms, arms, foam and fabric
 - With the following exceptions:

10 years°

- ergoCentric Approved Fabrics

° Includes labor costs.

[Contact Sales](#)

