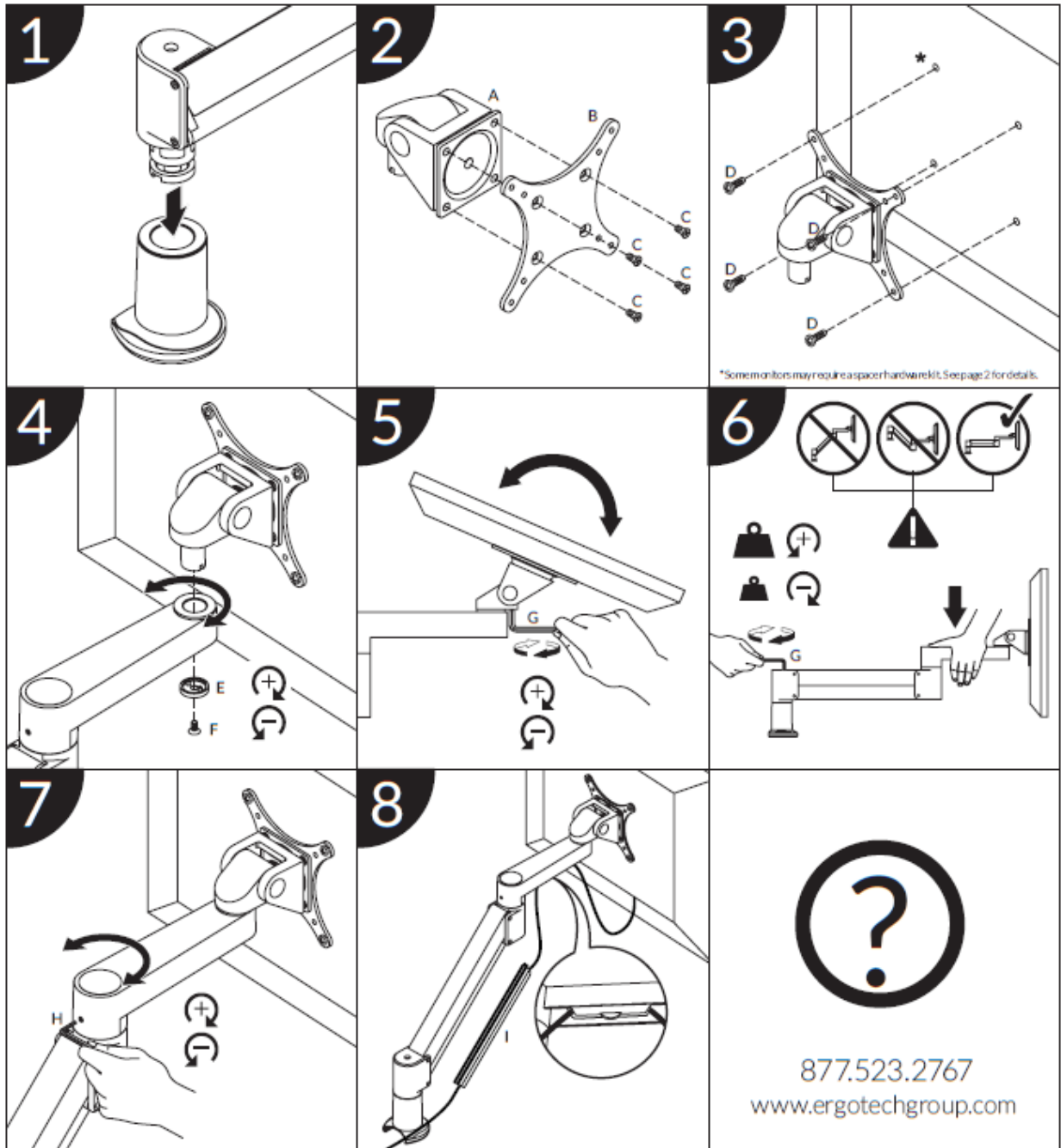


7FLEX® Installation Instructions







877.523.2767
www.ergotechgroup.com

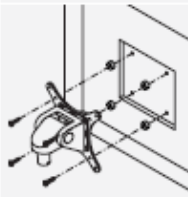
7FLEX®

Installation Part List

ITEM	DESCRIPTION / PART NO.	QUANTITY
A 	Monitor Tilter 405397	1
B 	75/100mm VESA® Adapter Plate 105587	1
C 	10-32 x 3/8" Phillips Pan Head Screw 702281	1 (4-pack)
D 	M4 x 12mm Phillips Pan Head Screw 702096	1 (4-pack)
E 	Dog Washer 105189	1

ITEM	DESCRIPTION / PART NO.	QUANTITY
F 	10-32 x 3/8" FPHMS w/Lock Patch 705198	1
G 	7/32" Allen Wrench 701127	1
H 	3/32" Allen Wrench 700146	1
I 	Cable Cap 102043-9.5	1

OPTIONAL SPACER KITS In some cases, the mounting surface on your monitor may be recessed further than permitted by VESA® standards. As a result, a spacer kit may be required.

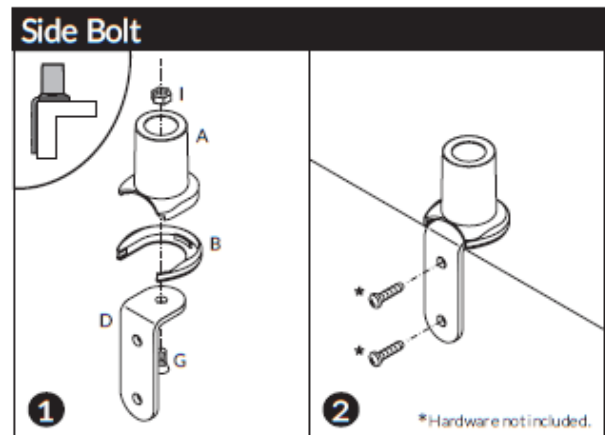
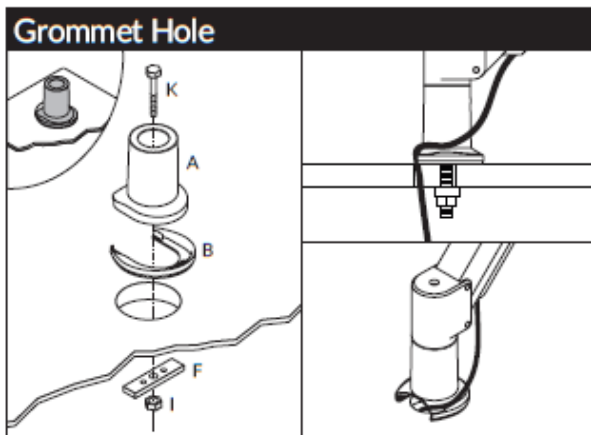
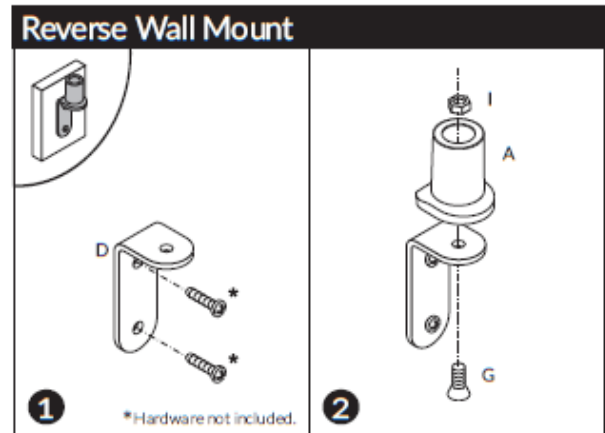
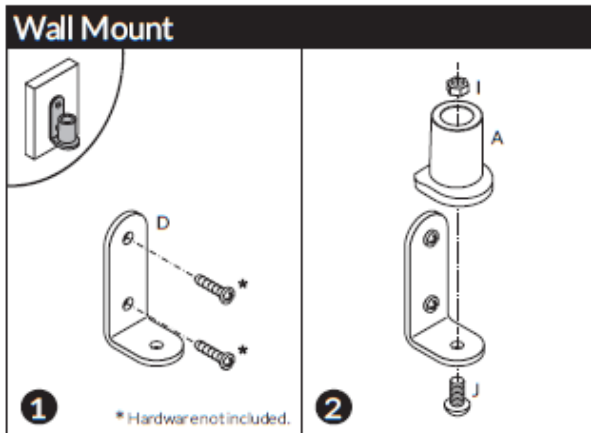
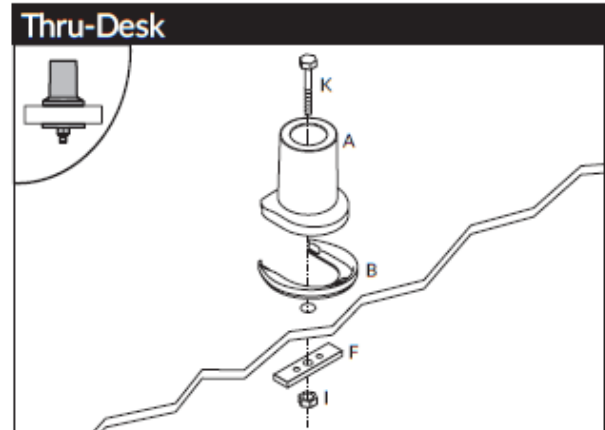
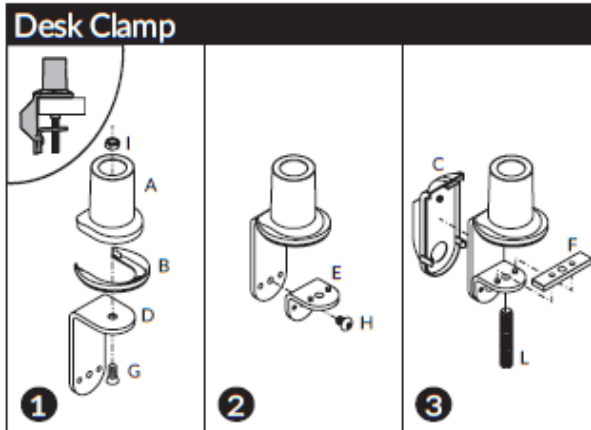


.25" Spacer Hardware Kit
(4) .25" Spacers
(4) M4 x 18mm Phillips Pan Head Screws
Order # P404923-B



.5" Spacer Hardware Kit
(4) .5" Spacers
(4) M4 x 25mm Phillips Pan Head Screws
Order # P404923-C

7FLEX® Mounting Instructions



7FLEX® Mounting Part List

ITEM	DESCRIPTION / PART NO.	QUANTITY
A	Mount Cup 406715	1
B	Mount Cup Rubber Sole 105553	1
C	Cable Management 105538	1
D	Large "L" Bracket 701117	1
E	Small "L" Bracket 111728	1
F	Rectangular Spacer 701544	1

ITEM	DESCRIPTION / PART NO.	QUANTITY
G	3/8-16 x 1" Flat Socket Cap Screw 701124	1
H	3/8-16 x 1/2" BHSCS 702898	1
I	3/8-16 Nylon Stop Nut 701418	1
J	3/8-16 x 7/8" Button Socket Cap Screw 701122	1
K	3/8-16 x 2-1/2" Hex Head Bolt 700268	1
L	1/2-13 x 3" Socket Set Screw 701126	1

How do I counterbalance my arm?

1

IMPORTANT!

- Monitor must be on arm
- Arm must be in mount

Press the arm down to approximately parallel with the desk prior to turning the strength adjustment screw.

If the arm drifts upward, turn the adjustment screw clockwise.

If the arm drifts downward, turn the adjustment screw counter-clockwise.

Depending on the weight of your monitor, you may have to make 15-20 turns.

7/32" Allen Wrench

2

In some instances, further counterbalance adjustments are needed to allow the arm's instant height adjustment function to work properly.

If your arm is not staying in position after performing step 1, follow these steps:

With arm in raised position, tighten set screw (A).

With arm in horizontal position, tighten set screw (B).

Do not over tighten screws.

3/32" Allen Wrench