

Chair Dis-Assembly Guide

ergoCentric®

ergocentric.com

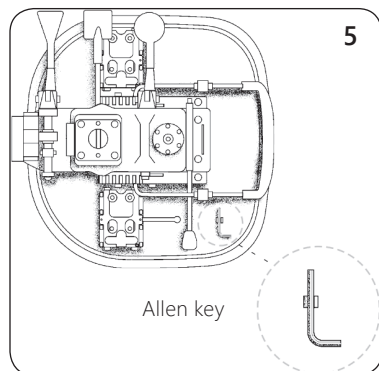
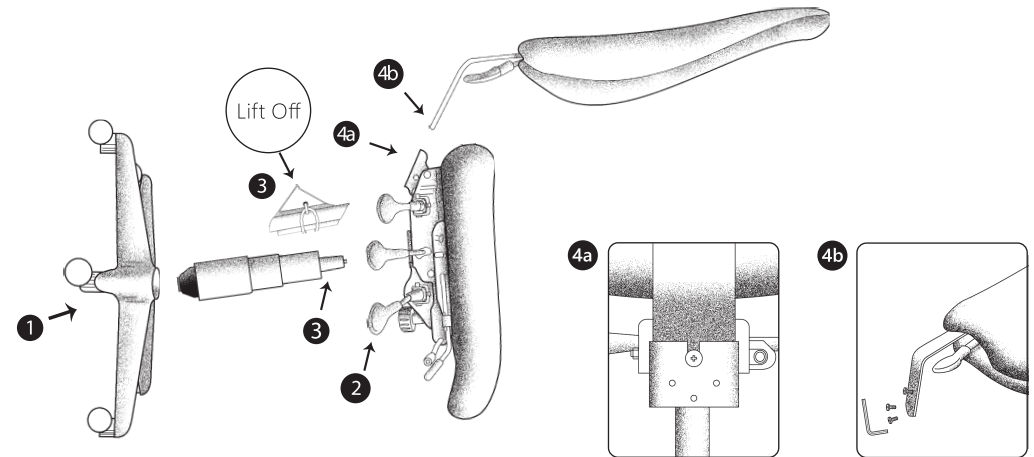
airCentric, geoCentric, iCentric, eCentric, myCentric, 24Centric, ergoForce,
Bariatric Task, ecoCentric, Saffron, 3 in 1, Industrial chairs and stools

ph: 1 866 GET ERGO | 905 696-6800

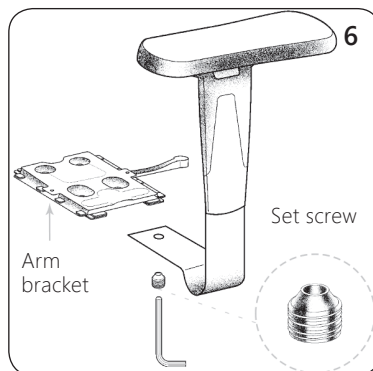
fx: 1 800 848-5190 | 905 696-0899

service@ergocentric.com

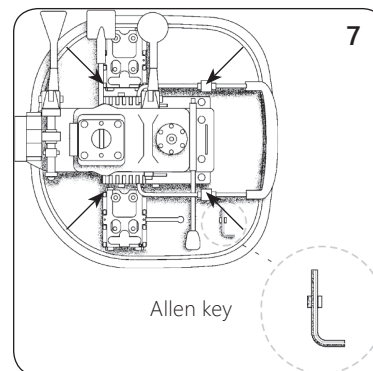
1. Turn chair on its side. Use a hammer to remove the pneumatic lift from the base connection. Guide the base off the lift while hammering.
2. Ensure lift is at the full height by pulling up on the square paddle under the mechanism.
3. Place Lift Off under the mechanism around pneumatic lift. Hammer down on Lift Off until pneumatic lift becomes disengaged. (Note: Do not hold onto lift while hammering)
4. Follow these instructions to remove the back from the chairs:
 - a. Using the Allen key, untighten the 3 screws. (4A)
 - b. Slide the back bar out of the bracket at the rear of the seat, allowing the screws to slide out of the slots. The back bar should then disengage from the bracket. (4B)



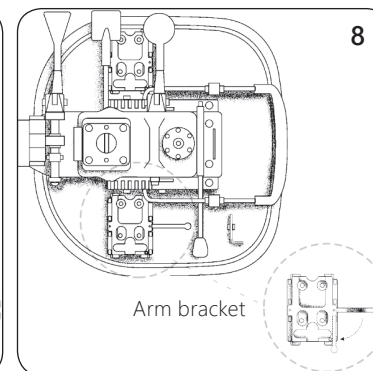
5. Locate Allen key under seat.



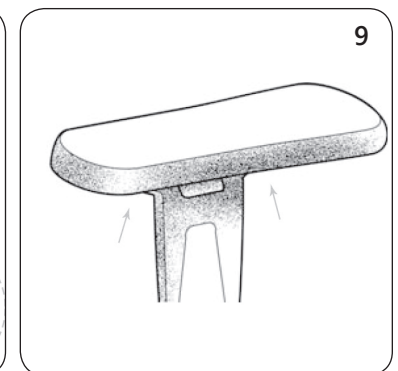
6. Slide arm out of the width bracket. Back out set screw of the hole located in the arm using the Allen key to loosen.



7. With the Allen key unscrew the four (4) bolts on attaching the mechanism to the seat pan.



8. Locate arm width adjustment bracket affixed under seat. Move lever to unlocked position.



9. The arm pad can be removed from arm bracket by unscrewing the two (2) bolts under the arm pad. This can be preformed with a Philips screw driver.