

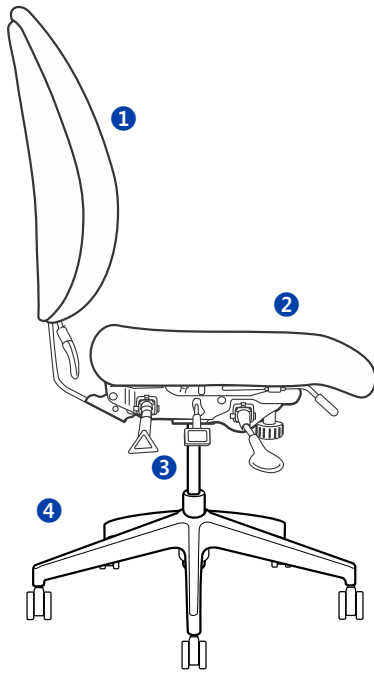
geoCentric™

Ultimate adjustability



geoCentric chairs provide an adaptable ergonomic solution for both dedicated and multiple office tasks requirements. Utilizing 30 plus years of proven ergonomic design and patented technologies, the geoCentric series offers a wide range of adjustability and customized support for individual needs.

ergoCentric®
The science of sitting™



geoCentric™

Ultimate adjustability

[View Online](#)

Available in 3 backrest sizes



Mid Back



Tall Back



Extra Tall Back

Features

- 1** Backrest
 - 5" Patented back height
 - Dual curve backrest for lateral and lumbar support in 4 sizes
 - Mid back (17"w x 19"h), tall back (17"w x 21"h), extra tall back (19"w x 25"), extra high back (19"w x 34"h)
- 2** Seat
 - Dual density molded polyurethane foam
 - Seat pan in 6 sizes
 - Extra small seat (17.5"w x 15.5"d), small seat (18.5"w x 17"d), standard seat (20"w x 19"d), extra long seat (20"w x 21"d), plus seat (22"w x 19"d), extra large seat (22"w x 21"d)
- 3** Available Mechanisms
 - Dedicated Task
 - Synchro
 - Synchro Glide
 - Multi Tilt
 - Knee Tilt
 - Task Intensive
- 4** Base
 - 25" glass reinforced nylon base
 - 5 dual wheel nylon casters

Options

- Fixed and adjustable arm options
- Air lumbar and air thoracic
- Patented adjustable headrest
- Optional back height ranges
- Neck support
- Seat sizes and foams
- Glass reinforced back cap
- 25" polished aluminum base
- Additional casters and glide options

Warranty

Lifetime°

- Original purchaser
- Defects and functional failure of materials up to a weight of 280 lbs
- With the following exceptions:

10 years°

- Mechanisms, arms, foam, ergoCentric Approved Fabrics

5 years°

- Plus size seating up to a weight of 350 lbs
- Task intensive seating up to a weight of 300 Lbs

° Includes labor costs.

[Contact Sales](#)

