



ergoCentric®

upCentric Power & Data Rail
Specification Guide

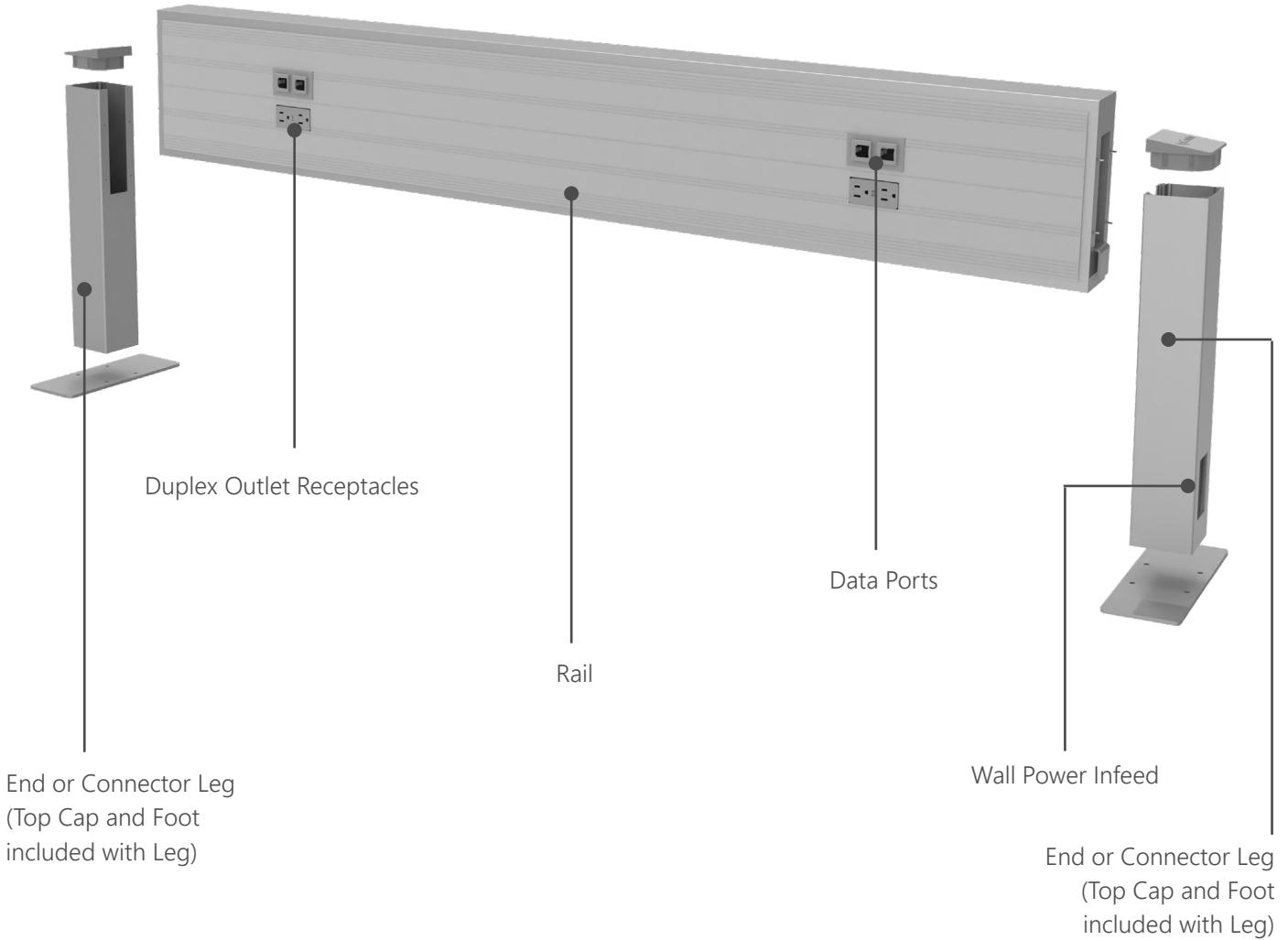
A Clean, Safe and Organized Workplace with upCentric Power & Data Rail

upCentric Power & Data Rail is designed to optimize floorplans with a clean and tidy look by providing organized power and data for each individual desk. upCentric Power & Data Rail eliminates the need for messy wires on the floor, reducing trip hazards and improving workplace safety.

Integrating seamlessly with ergoCentric's seating products, height adjustable desks and tables, and workstation accessories, upCentric Power & Data Rail is a vital component of any ergonomic workspace as it allows for a variety of postures throughout the day. Whether sitting or standing, upCentric Power & Data Rail creates an ideal working environment while increasing comfort, safety and productivity.

Features & Benefits

- Cohesive design with upCentric tables & accessories
- Variety of sizes and configurations
- Power and data can be run from ceiling or wall
- Power can be hardwired or plugged directly into a wall
- Easy to specify, present, install, or reconfigure
- One-stop shop for stylish and ergonomic workstations



Rail

- Length range: 36" - 96" (in 6" increments)
- Height: 9.25", Width: 3"
- Power comes standard as single-sided with 2 duplex outlet receptacles, or double-sided with 4 duplex outlet receptacles
- 4 data ports per side (fitting kits included)
- Finish in Black or Silver

Electrical

- Electrical components are included in standard rail assemblies
 - ◇ Double Sided Junction Blocks
 - ◇ Duplex Receptacles
 - ◇ Data Adapter Kits
 - ◇ Flexible Conduit Jumpers

Leg

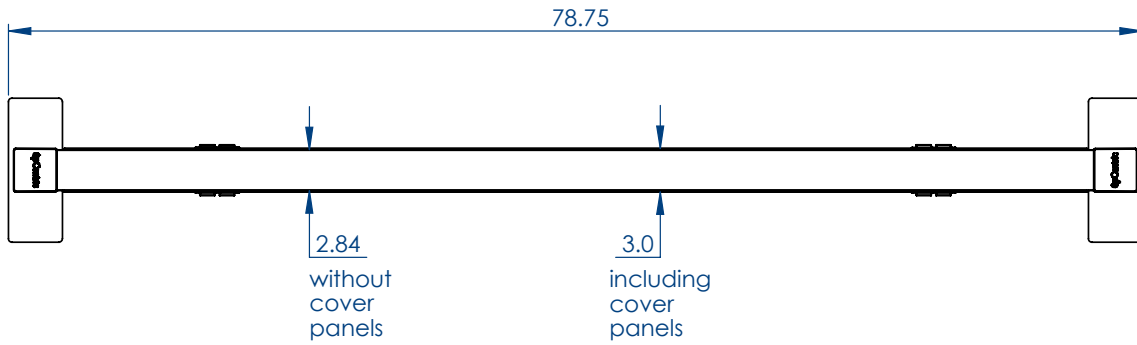
- End Legs: used for the ends of rail
- Connector Legs: used for any rail connection points (X, T, 90° or 180° connection)
- Leg size: 18"h X 3"w X 3"d
- Foot size: 3.75"w X 10"d
- Finish in Black or Silver

Power Infeed

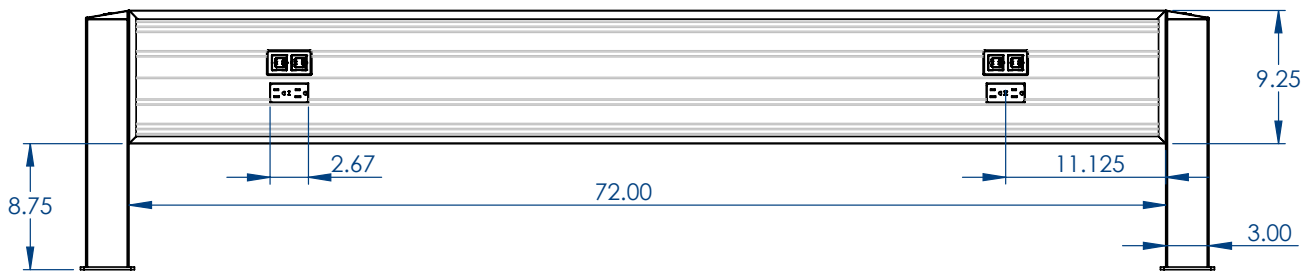
- Wall Power Infeed: 72" Power Entry Conduit
- Ceiling Power Infeed: 144" Power Entry Conduit (up to 11' ceiling)

Single Rail Measurement (72")

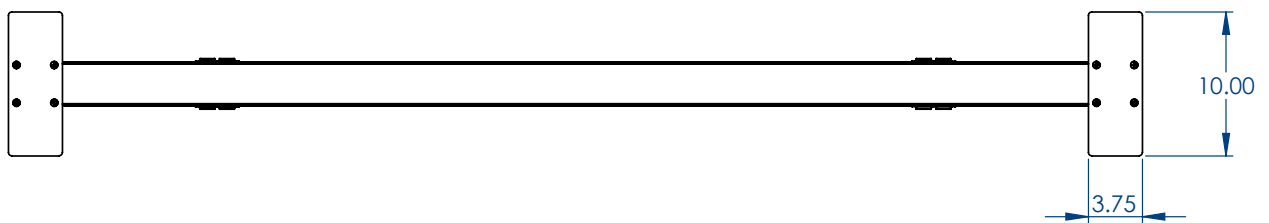
Top View



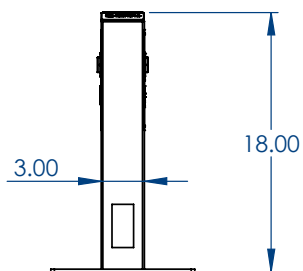
Front View



Bottom View

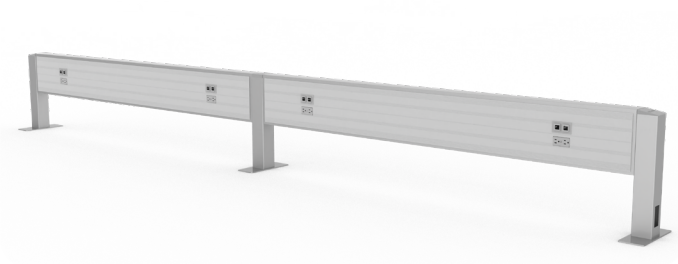


Side View of Start Leg



For space planing and design, it's critical to include the total combination of rail and leg measurements.

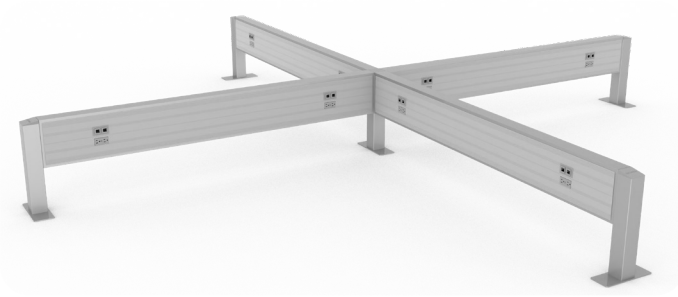
Rail Connection Types



180° Connection



90° Connection



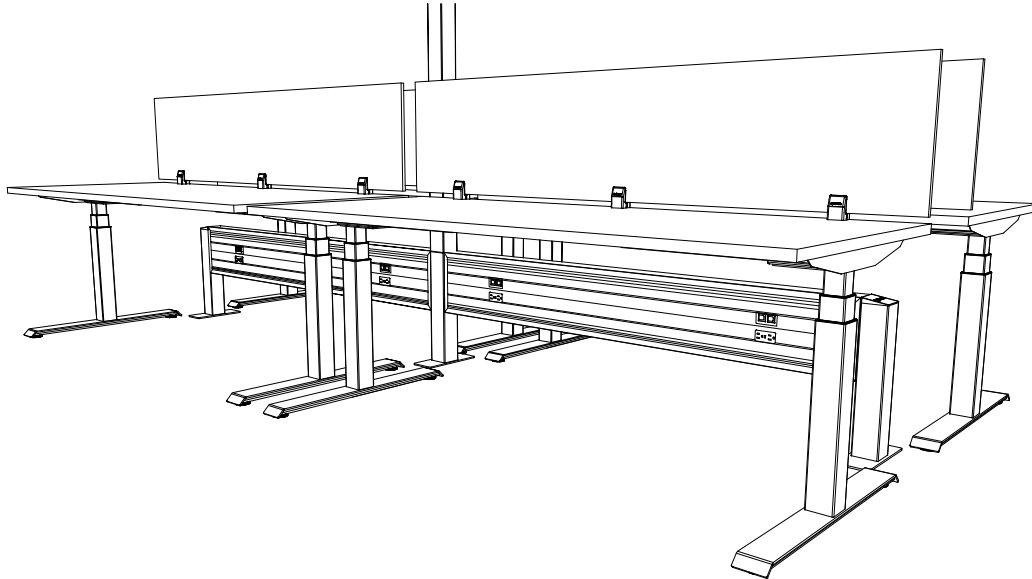
X Connection



T Connection

Typical Configurations

Linear 4 Pods - Rectangular Desks, 30"d X 72"w, back to back



Power & Data Rail

PRODUCT CODE	DESCRIPTION	QUANTITY
PDR-DS-66-XX	66" Double-Sided Rail Assembly with 4 Power Locations	2
PDR-LEG-END-XX	End Leg	2
PDR-LEG-CPI-180-XX	Ceiling Power Infeed 180° Connector Leg Assembly	1

XX - Finish in Black [BL] or Silver [SL]

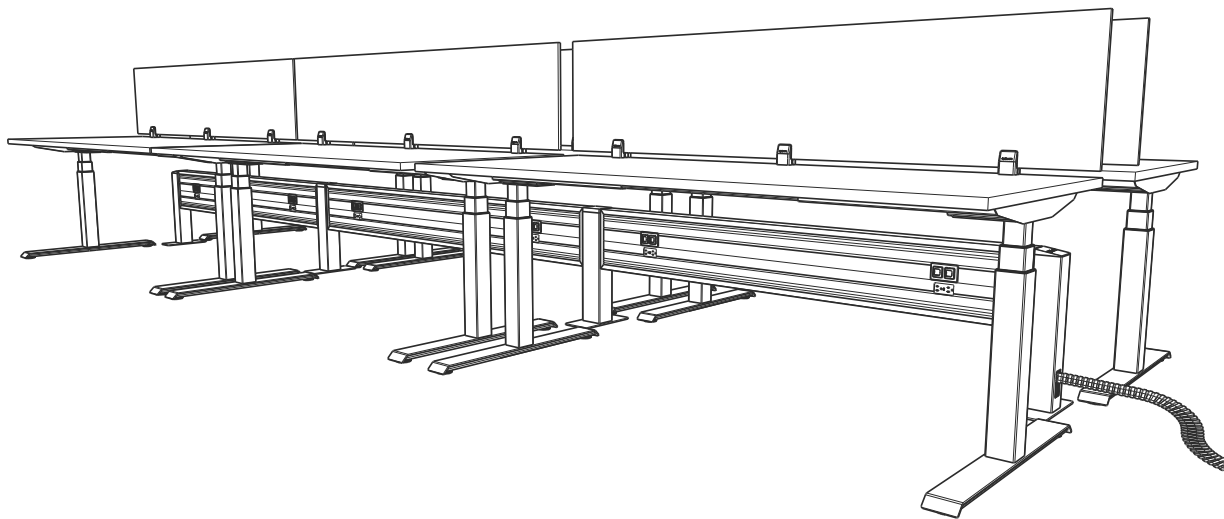
Workstation

PRODUCT CODE*	DESCRIPTION	QUANTITY
UP-2L-29-XXXX-30x72-XX-FM-90-LRET	Rectangular desks, size 30"x72", standard grommet placement	4
PRIVACY-UNF-XX-16x72	Non-framed acoustic or acrylic privacy panels, size 16"h x 72"w	4

* See height adjustable desk section of price book for product code information and options.

Typical Configurations

Linear 6 Pods - Rectangular Desks, 30"d X 72"w, back to back



Power & Data Rail

PRODUCT CODE	DESCRIPTION	QUANTITY
PDR-DS-66-XX	66" Double-Sided Rail Assembly with 4 Power Locations	2
PDR-DS-72-XX	72" Double-Sided Rail Assembly with 4 Power Locations	1
PDR-LEG-END-XX	End Leg	1
PDR-LEG-180-XX	180° Connector Leg	2
PDR-LEG-WPI-END-XX	End Leg with Power Infeed Window, 72" Power Infeed included	1

XX - Finish in Black [BL] or Silver [SL]

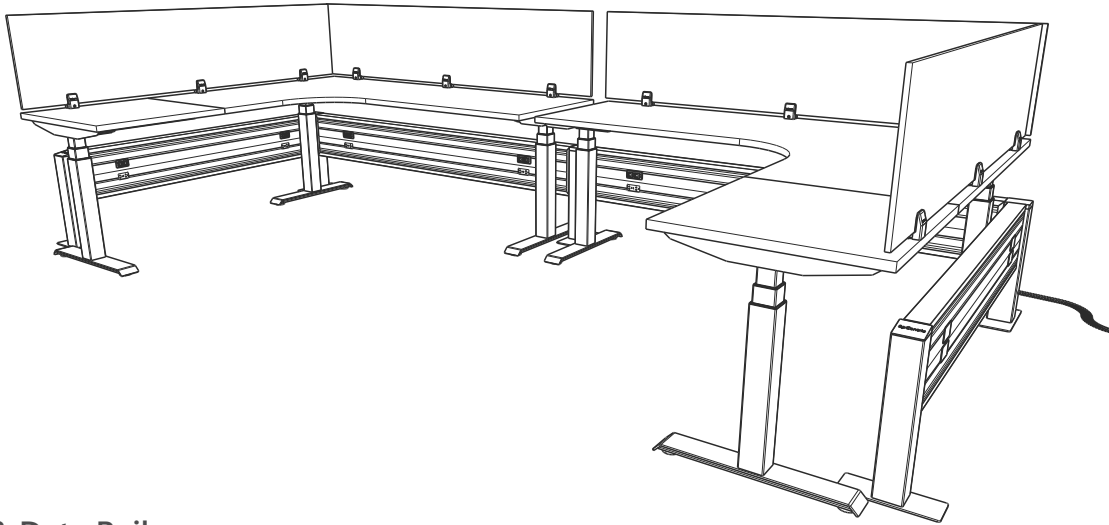
Workstation

PRODUCT CODE*	DESCRIPTION	QUANTITY
UP-2L-29-XXXX-30x72-XX-FM-90-LRET	Rectangular desks, size 30"x72", standard grommet placement	6
PRIVACY-UNF-XX-16x72	Non-framed acoustic or acrylic privacy panels, size 16"h x 72"w	6

* See height adjustable desk section of price book for product code information and options.

Typical Configurations

Linear 2 Pods - L-Shaped Desks, 72x72x24x24, side by side



Power & Data Rail

PRODUCT CODE	DESCRIPTION	QUANTITY
PDR-SS-66-XX	66" Single-Sided Rail Assembly with 2 Power Locations	2
PDR-SS-72-XX	72" Single-Sided Rail Assembly with 2 Power Locations	2
PDR-LEG-END-XX	End Leg	2
PDR-LEG-180-XX	180° Connector Leg	1
PDR-LEG-90-XX	90° Connector Leg	1
PDR-LEG-WPI-90-XX	90° Connector Leg with Power Infeed Window, 72" Power Infeed included	1

XX - Finish in Black [BL] or Silver [SL]

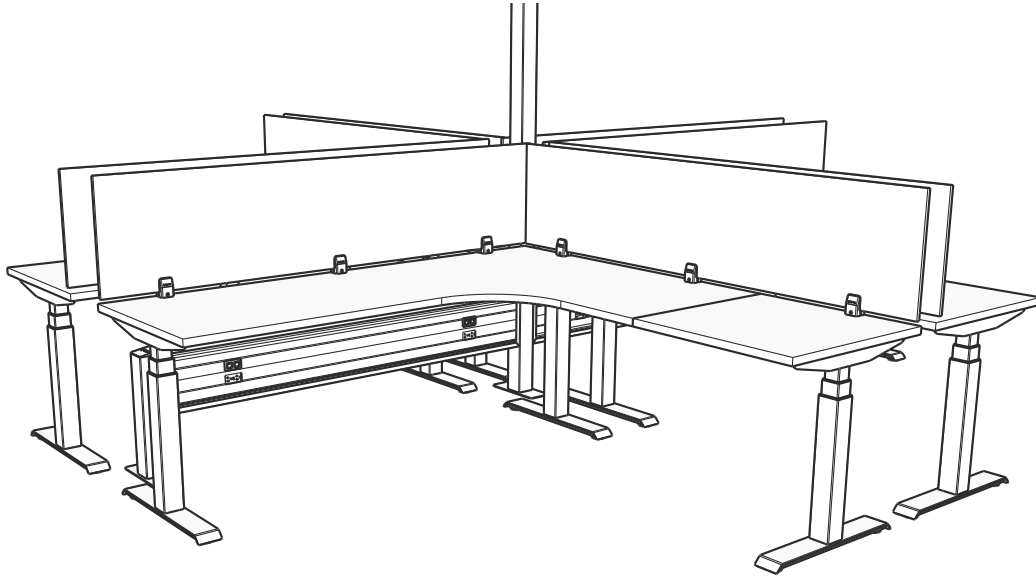
Workstation

PRODUCT CODE*	DESCRIPTION	QUANTITY
UP-3L-XXXX-L-72722424-11-XX-FM-90-LRET	L-shaped desks, left orientation, round corner, size 72"x72"x24"x24", standard grommet placement	1
UP-3L-XXXX-R-72722424-11-XX-FM-90-LRET	L-shaped desks, right orientation, round corner, size 72"x72"x24"x24", standard grommet placement	1
PRIVACY-UNF-XX-16x72	Non-framed acoustic or acrylic privacy panels, size 16"h x 72"w	4

* See height adjustable desk section of price book for product code information and options.

Typical Configurations

Linear 4 Pods - L-Shaped Desks, 72x72x24x24, head to head



Power & Data Rail

PRODUCT CODE	DESCRIPTION	QUANTITY
PDR-DS-66-XX	66" Double-Sided Rail Assembly with 4 Power Locations	2
PDR-LEG-END-XX	End Leg	2
PDR-LEG-CPI-180-XX	Ceiling Power Infeed 180° Connector Leg Assembly	1

XX - Finish in Black [BL] or Silver [SL]

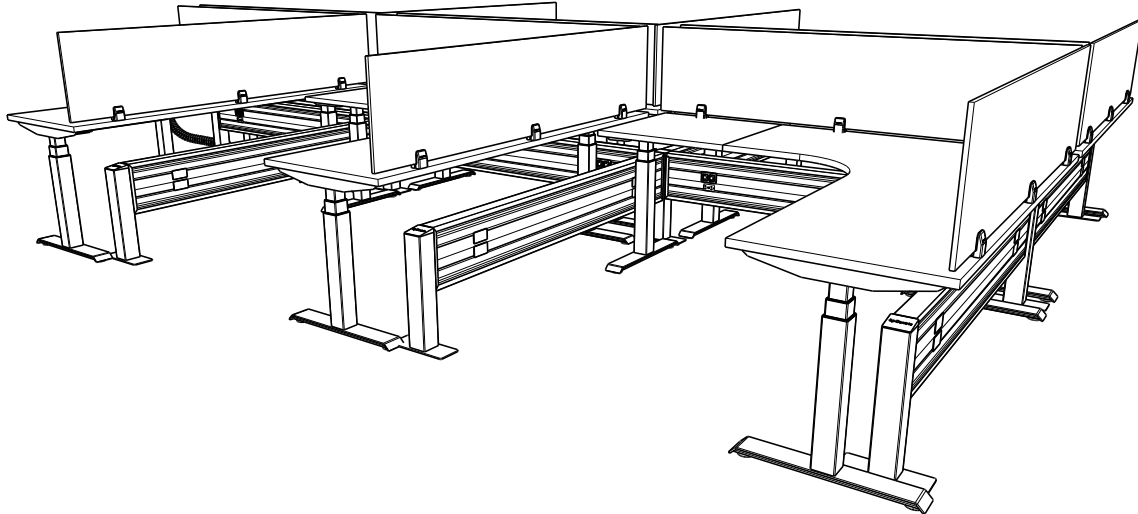
Workstation

PRODUCT CODE*	DESCRIPTION	QUANTITY
UP-3L-XXXX-L-72722424-11-XX-FM-90-LRET	L-shaped desks, left orientation, round corner, size 72"x72"x24"x24", standard grommet placement	2
UP-3L-XXXX-R-72722424-11-XX-FM-90-LRET	L-shaped desks, right orientation, round corner, size 72"x72"x24"x24", standard grommet placement	2
PRIVACY-UNF-XX-16x72	Non-framed acoustic or acrylic privacy panels, size 16"h x 72"w	8

* See height adjustable desk section of price book for product code information and options.

Typical Configurations

Linear 6 Pods - L-Shaped Desks, 72x72x24x24, back to back in a row



Power & Data Rail

PRODUCT CODE	DESCRIPTION	QUANTITY
PDR-SS-66-XX	66" Single-Sided Rail Assembly with 2 Power Locations	6
PDR-DS-66-XX	66" Double-Sided Rail Assembly with 4 Power Locations	2
PDR-DS-72-XX	72" Double-Sided Rail Assembly with 4 Power Locations	1
PDR-LEG-END-XX	End Leg	6
PDR-LEG-XC-XX	X-Connector Leg	2
PDR-LEG-TC-XX	T-Connector Leg	1
PDR-LEG-WPI-END-XX	End Leg with Power Infeed Window, 72" Power Infeed included	1

XX - Finish in Black [BL] or Silver [SL]

Workstation

PRODUCT CODE*	DESCRIPTION	QUANTITY
UP-3L-XXXX-L-72722424-11-XX-FM-90-LRET	L-shaped desks, left orientation, round corner, size 72"x72"x24"x24", standard grommet placement	3
UP-3L-XXXX-R-72722424-11-XX-FM-90-LRET	L-shaped desks, right orientation, round corner, size 72"x72"x24"x24", standard grommet placement	3
PRIVACY-UNF-XX-16x72	Non-framed acoustic or acrylic privacy panels, size 16"h x 72"w	12

* See height adjustable desk section of price book for product code information and options.

Ordering Instructions

Please follow below steps for building the Power & Data Rail system.

1 Decide on the office layout

Determine the office layout including quantity, size, and orientation of workstations. This will help dictate where power and data is needed.

2 Choose rail length and type

Based on the office layout, select the appropriate rail length and rail type, single-sided rail assembly with 2 power locations (PDR-SS series) or double-sided rail assembly with 4 power locations (PDR-DS series).

- a) Rail lengths should be the same length as the table top edge they run along
- b) Exception – for End Rails, use 6" shorter rail to keep rail from sticking out past the end of the desks

3 Choose power infeed

- a) Decide if you want to run the power in from a wall, or down from the ceiling
- b) Select the Power Infeed location:
 - i. Wall Infeed: select a rail ending closest to the location on the wall that they power will come from, and select a End or Connector Leg for that location
 - ii. Ceiling Infeed: select which leg location to add a Ceiling Drop Power Leg, and choose the appropriate Power Drop Leg (End Leg, X Connector, T Connector, 90° Connector or 180° Connector)

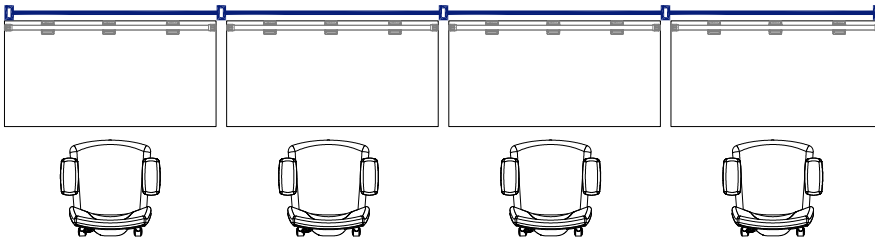
4 Select the rest of the legs

- a) Add End Legs at the end of each rail
- b) Add appropriate Connector Legs for any rail connection points (X, T, 90° or 180° connection)

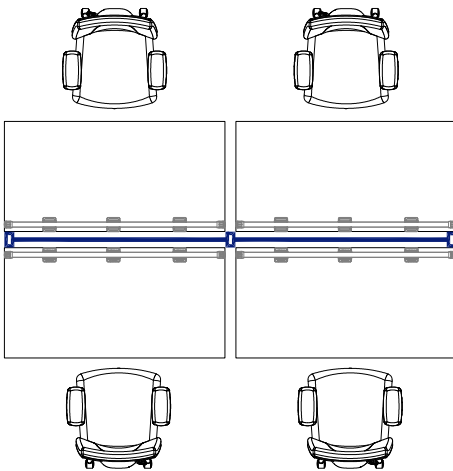
Ordering Instructions

Step 1 - Decide office layout

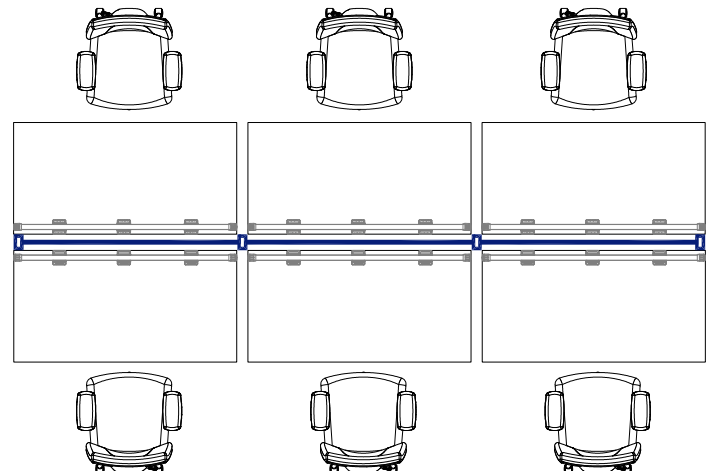
Determine the office layout including quantity, size, and orientation of workstations. This will help dictate where power and data is needed.



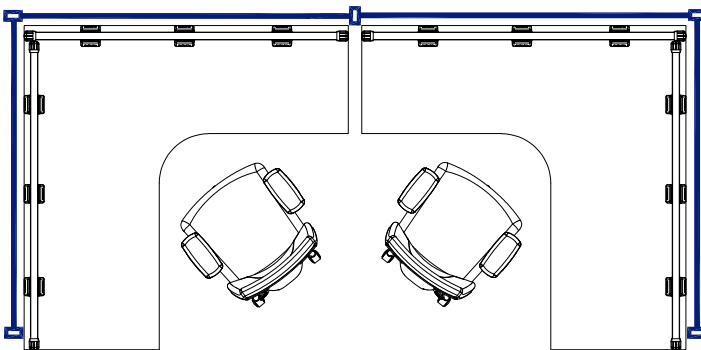
Linear 4 Pods - Rectangular Desks, 30"d X 72"w



Linear 4 Pods - Rectangular Desks, 30"d X 72"w, back to back



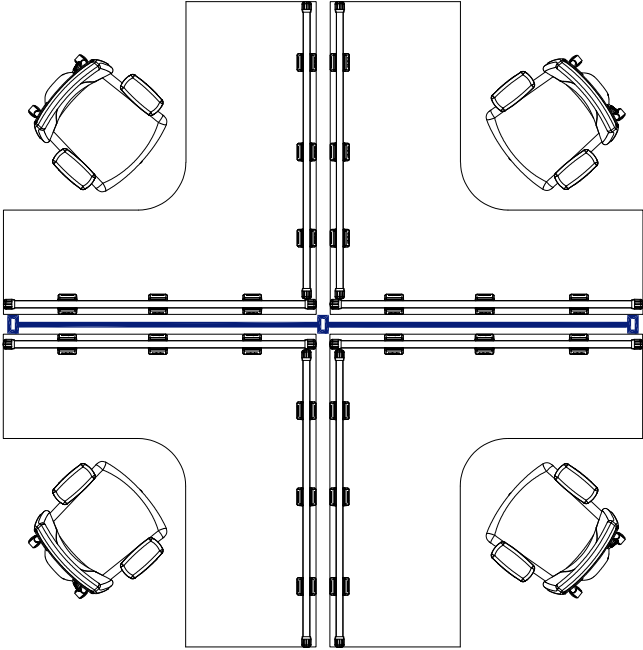
Linear 6 Pods - Rectangular Desks, 30"d X 72"w, back to back



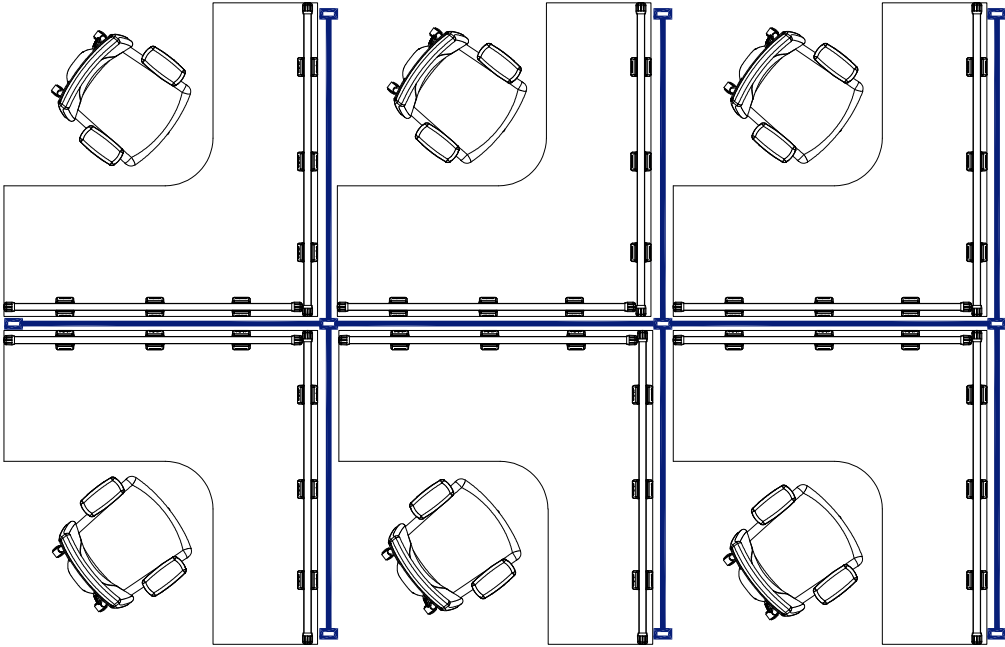
Linear 2 Pods - L-Shaped Desks, 72x72x24x24, side by side

Ordering Instructions

Step 1 - Decide office layout



Linear 4 Pods - L-Shaped Desks, 72x72x24x24, head to head



Linear 6 Pods - L-Shaped Desks, 72x72x24x24, back to back in a row

Ordering Instructions

Step 2 - Choose rail length and type

Based on the office layout, select the appropriate rail length and rail type, single-sided rail assembly with 2 power locations (PDR-SS series) or double-sided rail assembly with 4 power locations (PDR-DS series).

- a) Rail lengths should be the same length as the table top edge they run along
- b) Exception – for End Rails, use 6" shorter rail to keep rail from sticking out past the end of the desks

Examples

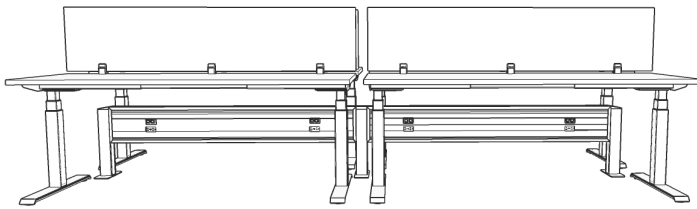


Table top size: 72"x30"
Power & Data Rail:
2 x 66" Double-Sided Rail Assembly
with 4 Power Locations

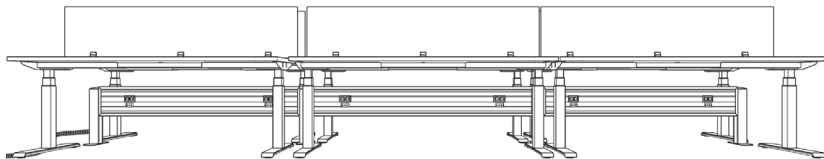


Table top size: 72"x30"
Power & Data Rail:
2 x 66" Double-Sided Rail Assembly
with 4 Power Locations
1 x 72" Double-Sided Rail Assembly
with 4 Power Locations

Ordering Instructions

Step 2 - Choose rail length and type

Part Code	Description
PDR-DS-36-XX	36" Double-Sided Rail Assembly with 4 Power Locations
PDR-DS-42-XX	42" Double-Sided Rail Assembly with 4 Power Locations
PDR-DS-48-XX	48" Double-Sided Rail Assembly with 4 Power Locations
PDR-DS-54-XX	54" Double-Sided Rail Assembly with 4 Power Locations
PDR-DS-60-XX	60" Double-Sided Rail Assembly with 4 Power Locations
PDR-DS-66-XX	66" Double-Sided Rail Assembly with 4 Power Locations
PDR-DS-72-XX	72" Double-Sided Rail Assembly with 4 Power Locations
PDR-DS-78-XX	78" Double-Sided Rail Assembly with 4 Power Locations
PDR-DS-84-XX	84" Double-Sided Rail Assembly with 4 Power Locations
PDR-DS-90-XX	90" Double-Sided Rail Assembly with 4 Power Locations
PDR-DS-96-XX	96" Double-Sided Rail Assembly with 4 Power Locations

XX - Finish in Black [BL] or Silver [SL]

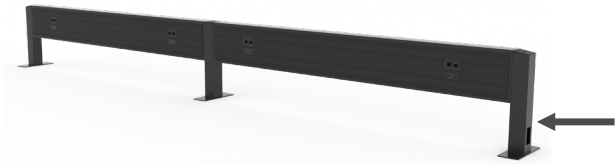
Part Code	Description
PDR-SS-36-XX	36" Single-Sided Rail Assembly with 2 Power Locations
PDR-SS-42-XX	42" Single-Sided Rail Assembly with 2 Power Locations
PDR-SS-48-XX	48" Single-Sided Rail Assembly with 2 Power Locations
PDR-SS-54-XX	54" Single-Sided Rail Assembly with 2 Power Locations
PDR-SS-60-XX	60" Single-Sided Rail Assembly with 2 Power Locations
PDR-SS-66-XX	66" Single-Sided Rail Assembly with 2 Power Locations
PDR-SS-72-XX	72" Single-Sided Rail Assembly with 2 Power Locations
PDR-SS-78-XX	78" Single-Sided Rail Assembly with 2 Power Locations
PDR-SS-84-XX	84" Single-Sided Rail Assembly with 2 Power Locations
PDR-SS-90-XX	90" Single-Sided Rail Assembly with 2 Power Locations
PDR-SS-96-XX	96" Single-Sided Rail Assembly with 2 Power Locations

XX - Finish in Black [BL] or Silver [SL]

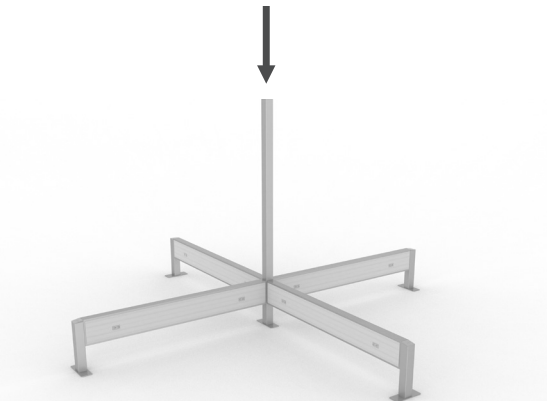
Ordering Instructions

Step 3 - Choose power infeed

- a) Decide if you want to run the power in from a wall, or down from the ceiling
- b) Select the Power Infeed location:
 - i. Wall Infeed: select a rail ending closest to the location on the wall that they power will come from, and select an End or Connector Leg for that location
 - ii. Ceiling Infeed: select which leg location to add a Ceiling Drop Power Leg, and choose the appropriate Power Drop Leg (End Leg, X Connector, T Connector, 90° Connector or 180° Connector)



Wall Power Infeed



Ceiling Drop Power Infeed

Part Code	Description
PDR-LEG-WPI-END-XX	End Leg with Power Infeed Window, 72" Power Infeed included
PDR-LEG-WPI-180-XX	180° Connector Leg with Power Infeed Window, 72" Power Infeed included
PDR-LEG-WPI-90-XX	90° Connector Leg with Power Infeed Window, 72" Power Infeed included
PDR-LEG-WPI-TC-XX	T-Connector Leg with Power Infeed Window, 72" Power Infeed included
PDR-LEG-WPI-XC-XX	X-Connector Leg with Power Infeed Window, 72" Power Infeed included

Part Code	Description
PDR-LEG-CPI-END-XX	Ceiling Power Infeed End Leg Assembly
PDR-LEG-CPI-180-XX	Ceiling Power Infeed 180° Connector Leg Assembly
PDR-LEG-CPI-90-XX	Ceiling Power Infeed 90° Connector Leg Assembly
PDR-LEG-CPI-TC-XX	Ceiling Power Infeed T-Connector Leg Assembly
PDR-LEG-CPI-XC-XX	Ceiling Power Infeed X Connector Leg Assembly

XX - Finish in Black [BL] or Silver [SL]

Ordering Instructions

Step 4 - Select the rest of the Legs

- a) Add End Legs at the end of each rail
- b) Add appropriate Connector Legs for any rail connection points (X, T, 90° or 180° connection)



180° Connection



90° Connection



X Connection



T Connection

Part Code	Description
PDR-LEG-END-XX	End Leg
PDR-LEG-180-XX	180° Connector Leg
PDR-LEG-90-XX	90° Connector Leg
PDR-LEG-TC-XX	T-Connector Leg
PDR-LEG-XC-XX	X-Connector Leg

XX - Finish in Black [BL] or Silver [SL]

Electrical Information

BYRNE 8-Trac System

The Byrne 8-Trac System accommodates panel applications or 2" to 3 1/2" thick with harnesses available from 12" to 1800 in length. Assemblies are 100% electrically tested to ensure the highest quality and reliability.

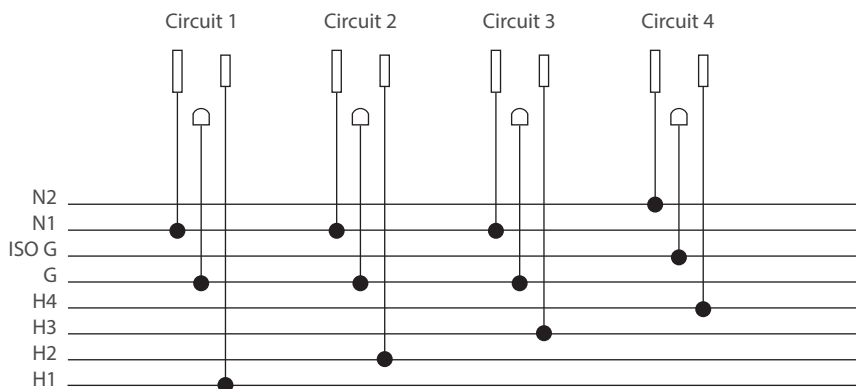
The Byrne 8-Trac System is UL Recognized as an Office Furnishing Accessory (UL 1286), and is UL Listed as a Manufactured Wiring System (UL 183) in full compliance with electrical specifications found in the National Electrical Code (NEC). It also complies with municipal standards such as New York, Los Angeles & San Francisco.

The practical design of the Byrne 8-Trac System combines junction blocks, jumpers, and power infeeds into one modular assembly. With 3-1/2" of adjustability, different length harnesses for 90 degree and "T" panel conditions are not required. Power is routed through extremely flexible oval metal conduit, which makes traversing sharp corners easy.

Circuitry/Keying

The Byrne 8-Trac System is rated for 20 amps allowing the use of 4 circuits with 4 line conductors, 2 neutrals and 2 grounds. Under NEC requirements, up to 13 duplex receptacles may be used per circuit, with a total of 52 available duplex receptacles if all circuits are used, per single power entry. The line conductors are 12 AWG, and share a 12 AWG ground and a 10 AWG neutral. The fourth circuit is isolated and dedicated, and is serviced by its own line conductor, neutral and isolated ground. Alternate circuit diagrams are available. The Byrne System can be wired in both single and three-phase configurations, 240/120V, 208/120V respectively. Additionally, a 3 hot, 3 neutral, 2 ground (3-3-2) wiring system is available.

3+D Keying (3+D keying is designated as -3- in part numbers)



WARNING:

Connection to the power source, by a licensed electrician, and quantity of receptacles used for a given circuit must be in compliance with all national and local electrical codes. Failure to observe this warning could result in a fire.

This page is intentionally left blank



ergoCentric®

The science of sitting.™

275 Superior Blvd.
Mississauga ON L5T 2L6 Canada
1 866 GET ERGO (438-3746)
orders@ergocentric.com

ergoCentric®, healthCentric™ and upCentric® are registered trademarks of ergoCentric Inc.
All other trademarks, registered trademarks and logos are the property of their respective owners.
10/05/2022 v1